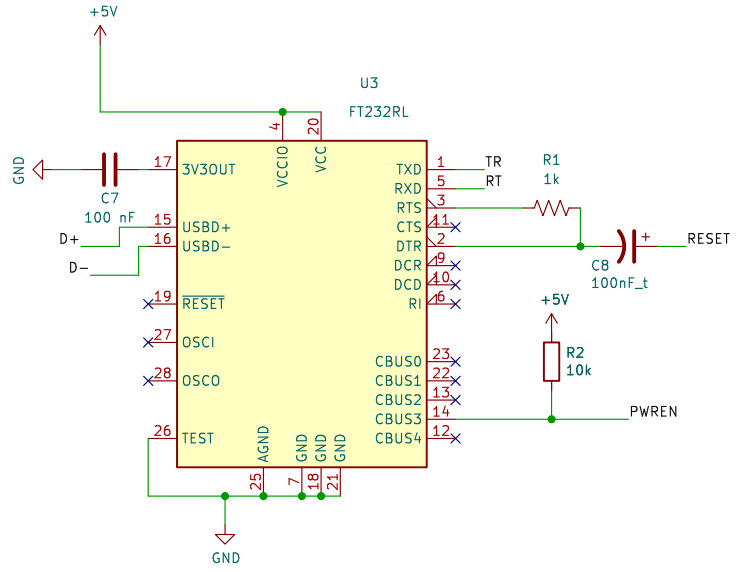
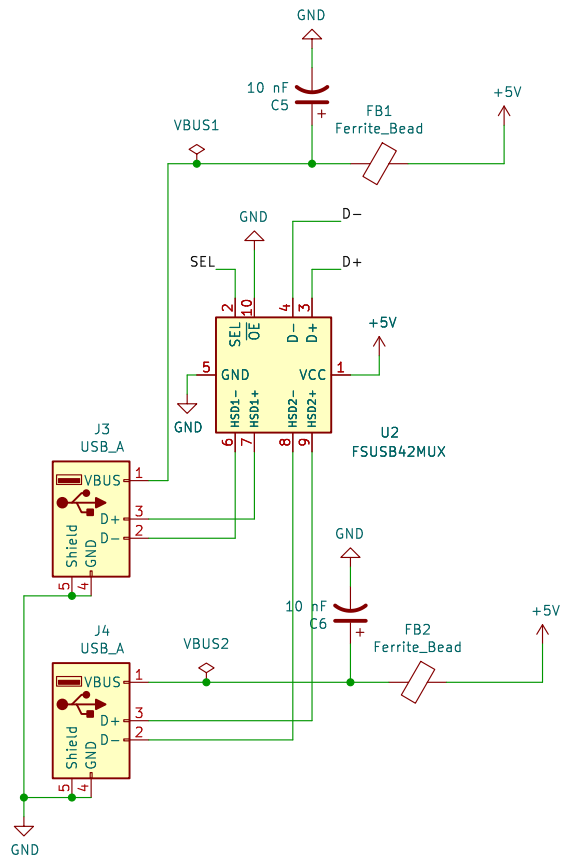
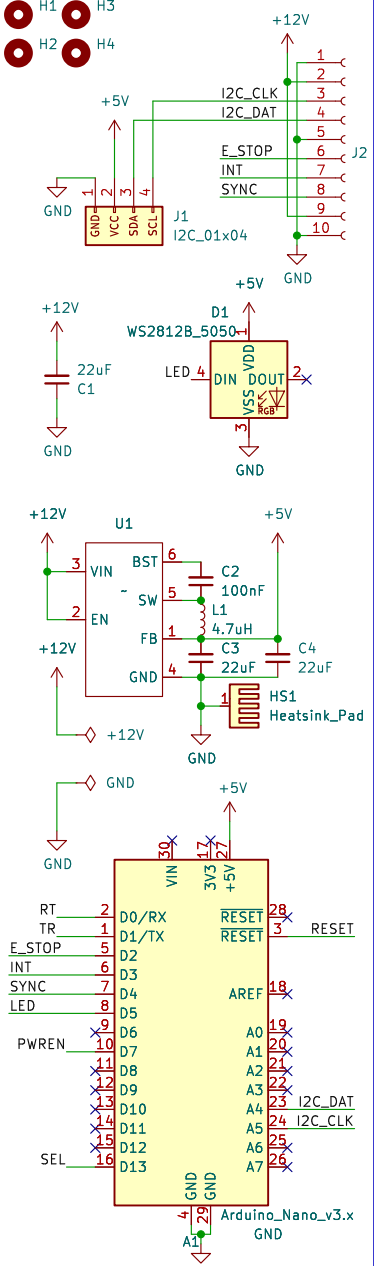


Core Slice Components



Sheet: /		Date:	
File: BREAD_Slice.kicad_sch		Rev:	
Size: A4	KiCad E.D.A. 9.0.7		Id: 1/1