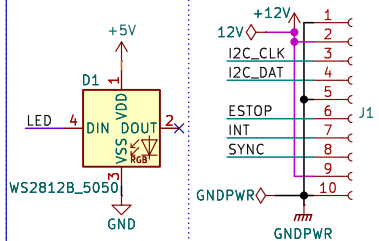
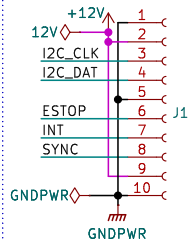


# Core Slice Components

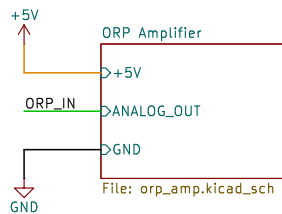
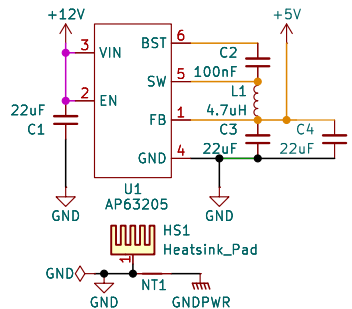
## RGB LED



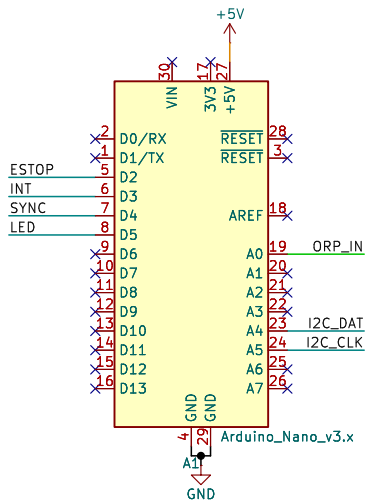
## Backplane Conn.



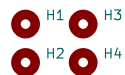
## 5V Switching Supply



## Arduino Nano



## Mounting Holes



Sheet: /  
File: BREAD\_Slice.kicad\_sch

### Title:

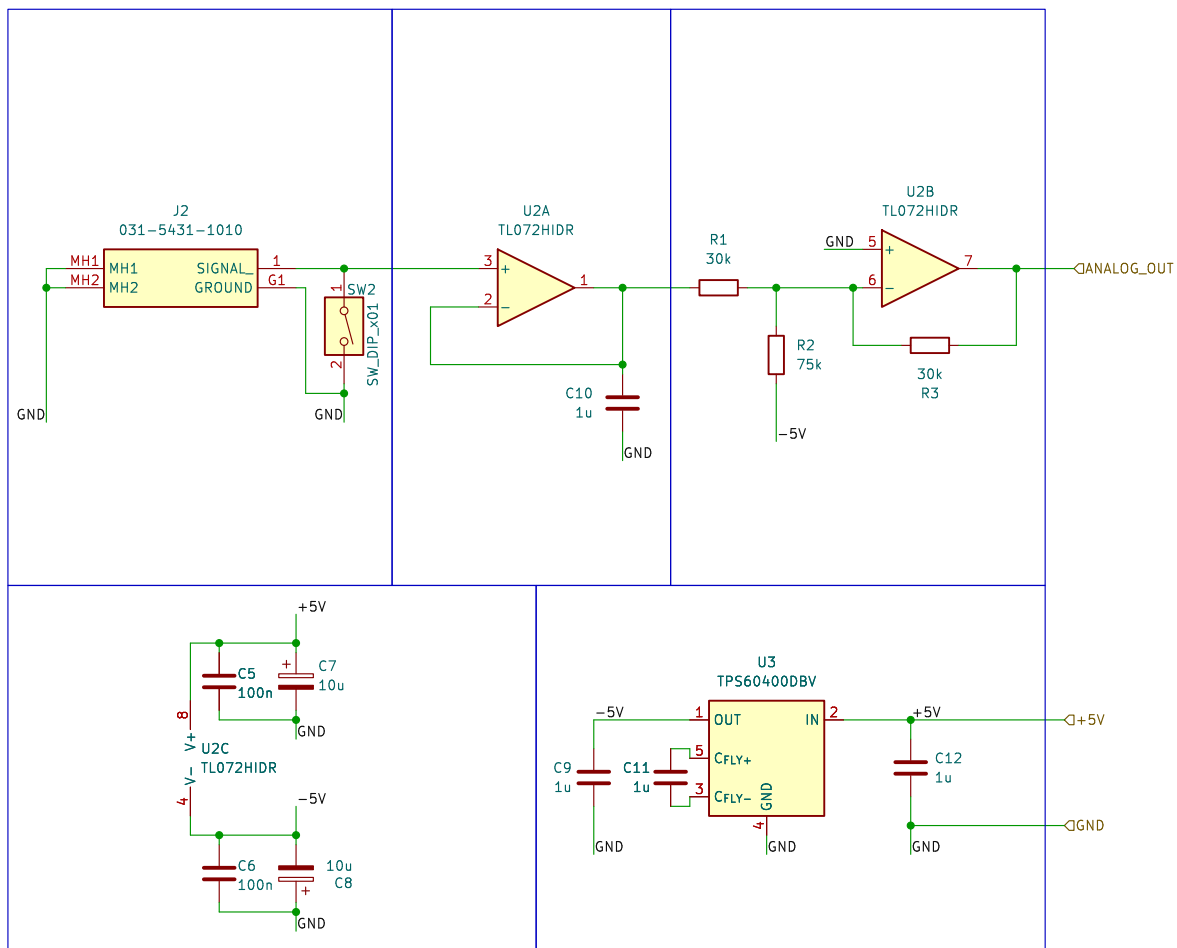
Size: A4

Date:

Rev:

KiCad E.D.A. 9.0.7

Id: 1/2



Sheet: /ORP Amplifier/  
 File: orp\_amp.kicad\_sch

**Title:**

Size: A4  
 KiCad E.D.A. 9.0.7

Date:

Rev:

Id: 2/2