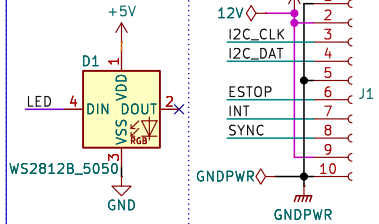
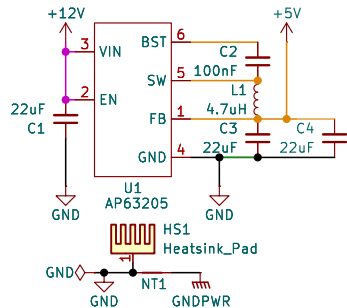


# Core Slice Components

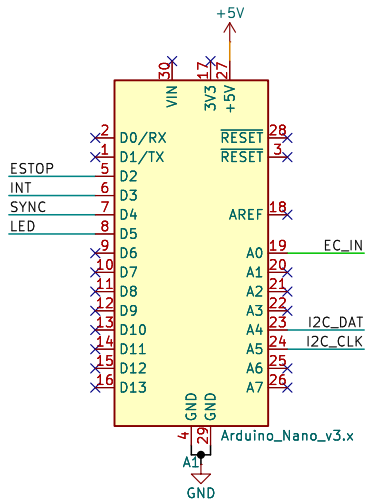
## RGB LED



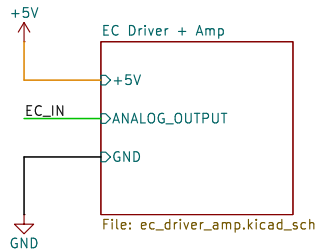
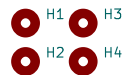
## 5V Switching Supply



## Arduino Nano



### Mounting Holes



Sheet: /  
File: BREAD\_Slice.kicad\_sch

### Title:

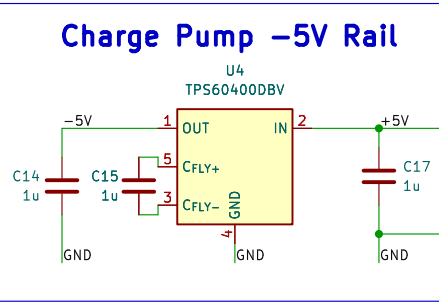
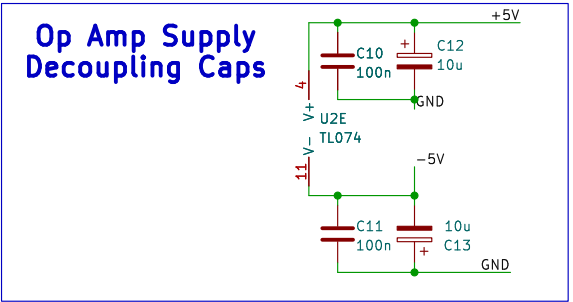
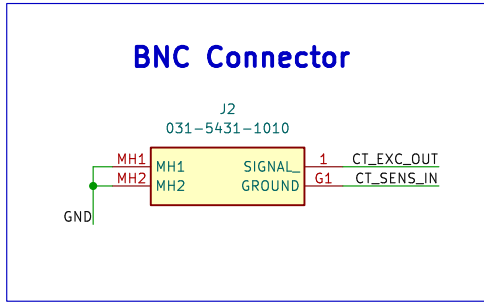
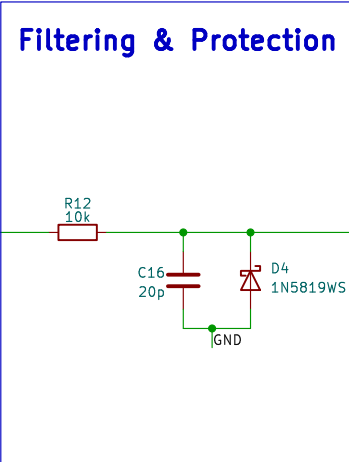
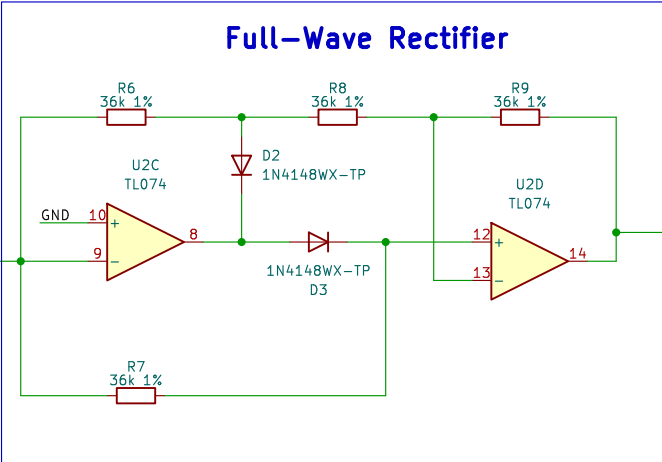
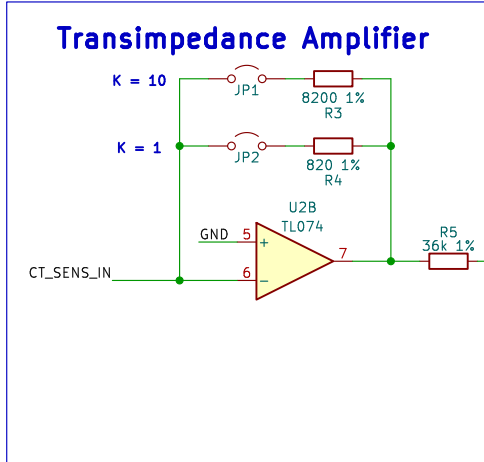
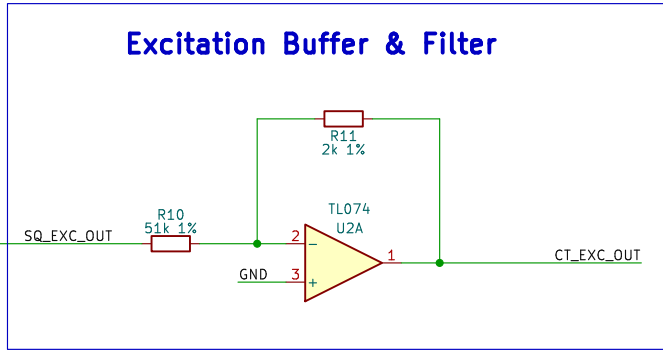
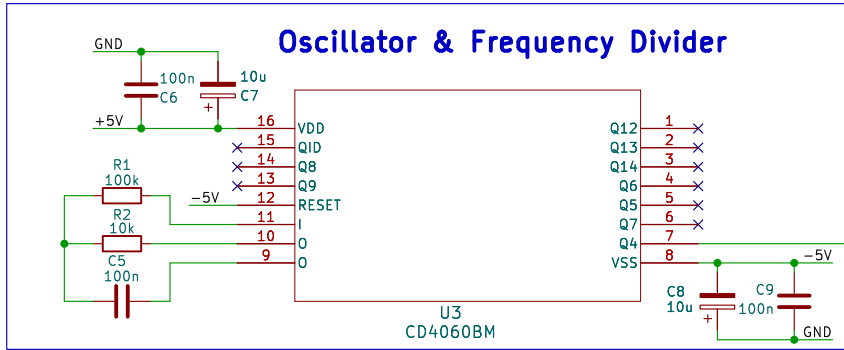
Size: A4

Date:

Rev:

KiCad E.D.A. 9.0.7

Id: 1/2



Sheet: /EC Driver + Amp/  
 File: ec\_driver\_amp.kicad\_sch

<b>Title:</b>	
Size: A4	Date:
KiCad E.D.A. 9.0.7	Rev: Id: 2/2