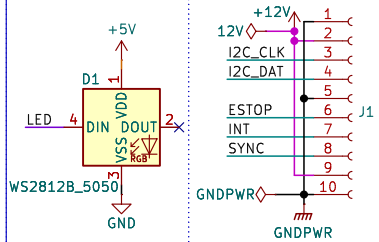
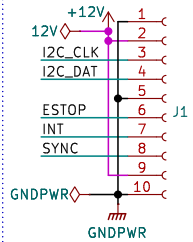


Core Slice Components

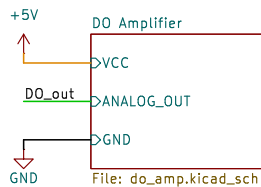
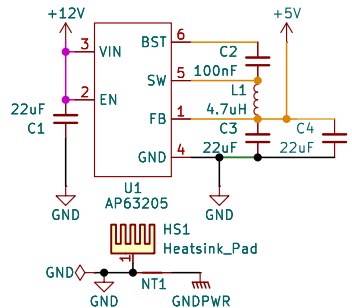
RGB LED



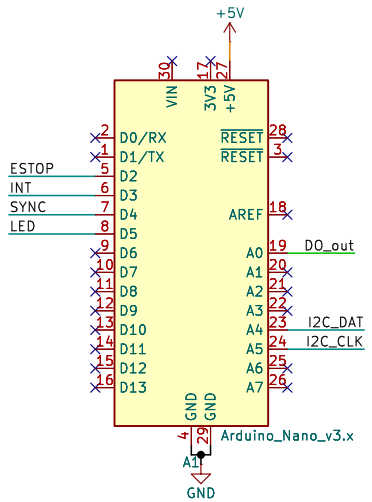
Backplane Conn.



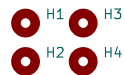
5V Switching Supply



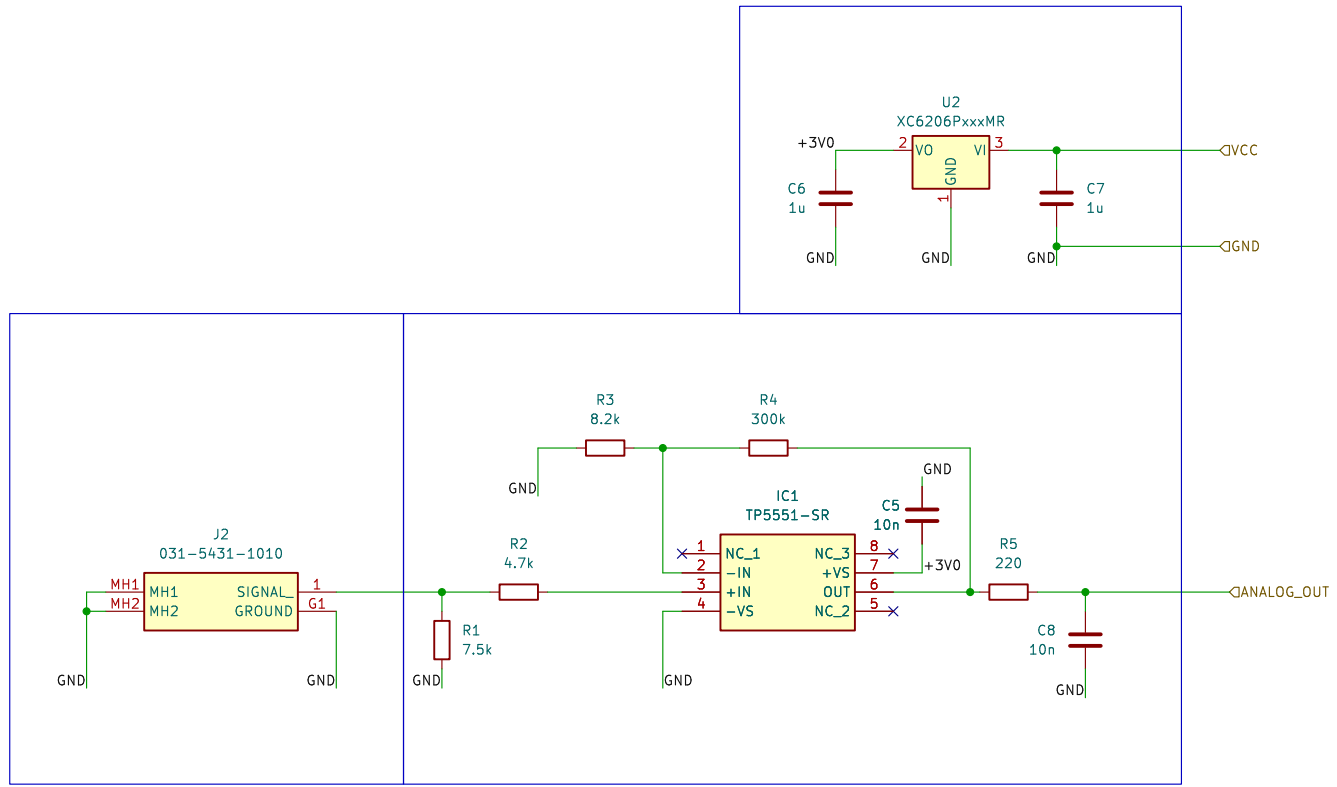
Arduino Nano



Mounting Holes



Sheet: /		Date:	
File: BREAD_Slice.kicad_sch		Rev:	
Size: A4	KiCad E.D.A. 9.0.7	Id: 1/2	



Sheet: /DO Amplifier/
 File: do_amp.kicad_sch

Title:

Size: A4

Date:

Rev:

KiCad E.D.A. 9.0.7

Id: 2/2